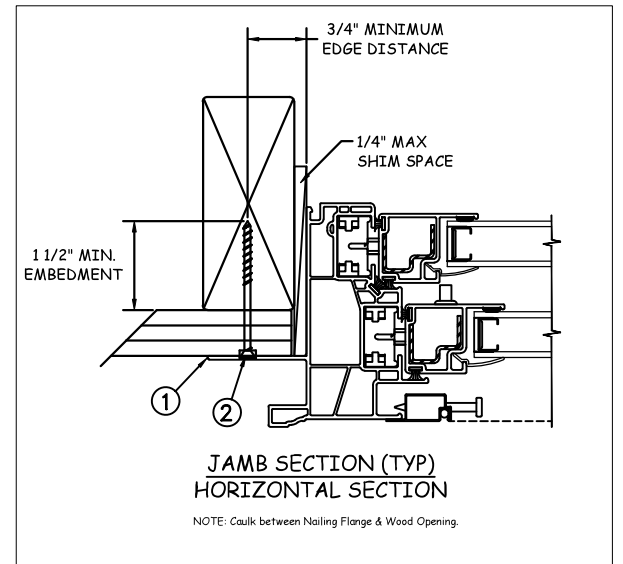


NAIL FIN INSTALLATION



Max Frame	DP RATING	IMPACT
38 x 74	+/-50	NO

Installation Notes:

1. Seal flange/frame to substrate.
2. Use #8 PH or greater fastener through the nail fin with sufficient length to penetrate a minimum of 1 1/2" into the wood framing. For two (2X) wood frame substrate (min. S.G. = 0.42).
3. Host structure (wood buck, masonry, steel) to be designed and anchored to properly transfer all loads to the structure. The host structure is the responsibility of the architect or engineer of record for the project of installation.

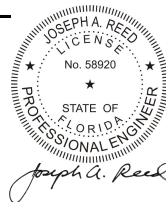
This schedule addresses only the fasteners required to anchor the window to achieve the rated design pressure up to the size limitations noted. It is not intended as a guide to the installation process and does not address the sealing consideration that may arise in different wall conditions. For the complete installation procedure, see the instructions packaged with the window or go to www.jeld-wen.com/resources/installation.

DISCLAIMER:

This drawing and its contents are confidential and are not to be reproduced or copied in whole or in part or used or disclosed to others except as authorized by JELD-WEN Inc.

General Notes:

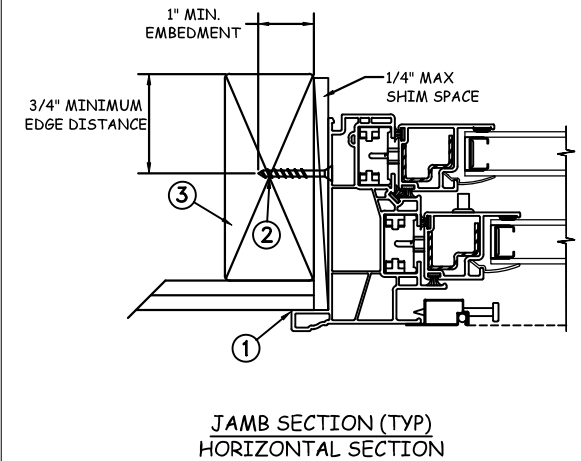
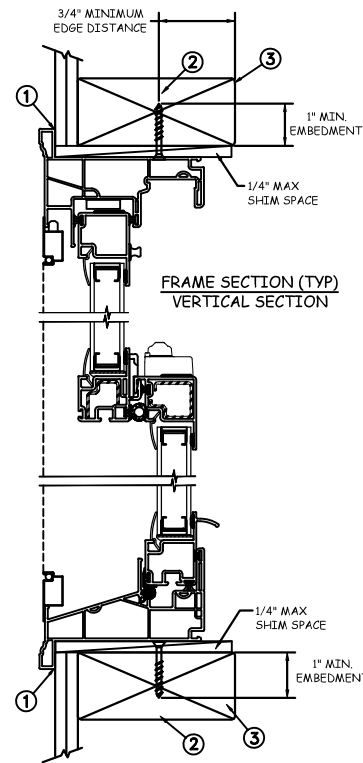
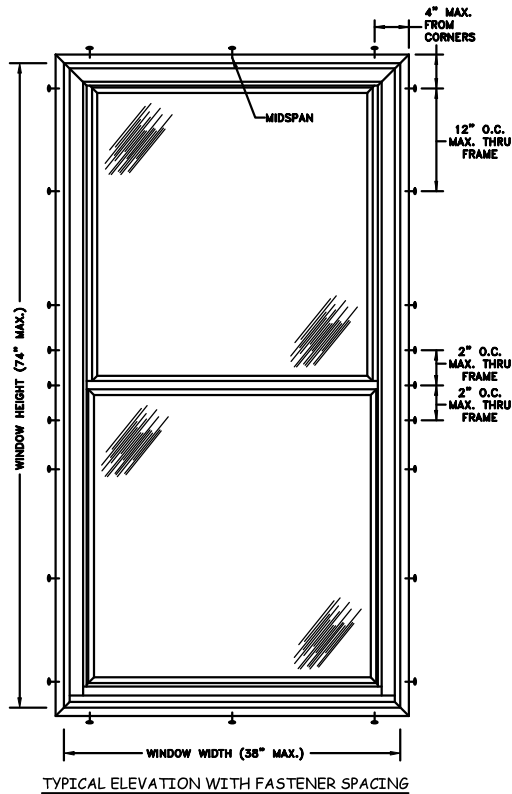
1. The product shown herein is designed, tested and manufactured to comply with the wind load criteria of the adopted International Building Code(IBC), the International Residential Code(IRC), the Florida Building Code(FBC) and the industry requirement for the stated conditions.
2. All glazing shall conform to ASTM E1300.
3. At minimum, glazing shall be single strength annealed insulating glass.
4. Use structural or composite shims where required.
5. Installation methods can be interchanged within the same opening.
6. An impact protective system is required where wind borne debris protection is mandated by local building code.
7. Maximum sizes are buck sizes and do not include fin or flange.



2021.02.02 15:11:28 -05'00'
JOSEPH A. REED, P.E.
 Florida PE 58920, REG. No. 33474
 National Certified Testing Laboratories
 5 Leigh Drive, York, PA. 17406
 (717) 846-1200

--	DATE: 11/10/2016	 3250 Lakeport Blvd Klamath Falls, OR, 97601 Phone: (800) 535-3936
DRAWN BY: J.HAWKINS	SCALE: NTS	
CHECKED BY: D.BELAU	TITLE: Brickmould Vinyl Double Hung DP50 Window	
APPROVED BY: J.GOOSSEN		
RECORD No: D008421		
REPORT No:	CAD DWG, No.:	REV: 00 SHEET

THRU FRAME INSTALLATION



Max Frame	DP RATING	IMPACT
38 x 74	+/-50	NO

Installation Notes:

1. Seal flange/frame to substrate.
2. Use #8 X 1 1/4" PH or greater fastener though the frame with sufficient length to penetrate a minimum of 1" into the wood framing. For two (2X) wood frame substrate (min. S.G. = 0.42).
3. Host structure (wood buck, masonry, steel) to be designed and anchored to properly transfer all loads to the structure. The host structure is the responsibility of the architect or engineer of record for the project of installation.

This schedule addresses only the fasteners required to anchor the window to achieve the rated design pressure up to the size limitations noted. It is not intended as a guide to the installation process and does not address the sealing consideration that may arise in different wall conditions. For the complete installation procedure, see the instructions packaged with the window or go to www.jeld-wen.com/resources/installation.

DISCLAIMER:

This drawing and its contents are confidential and are not to be reproduced or copied in whole or in part or used or disclosed to others except as authorized by JELD-WEN Inc.

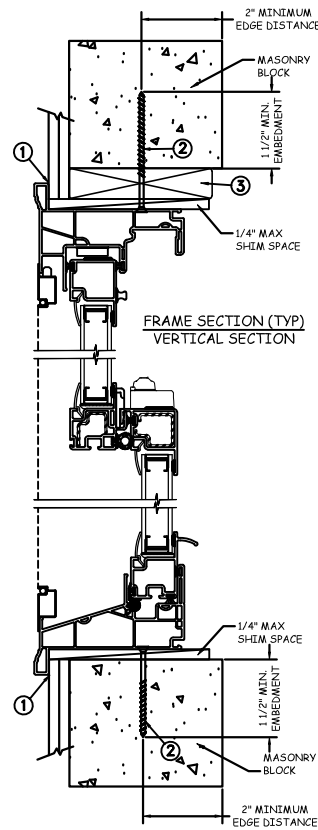
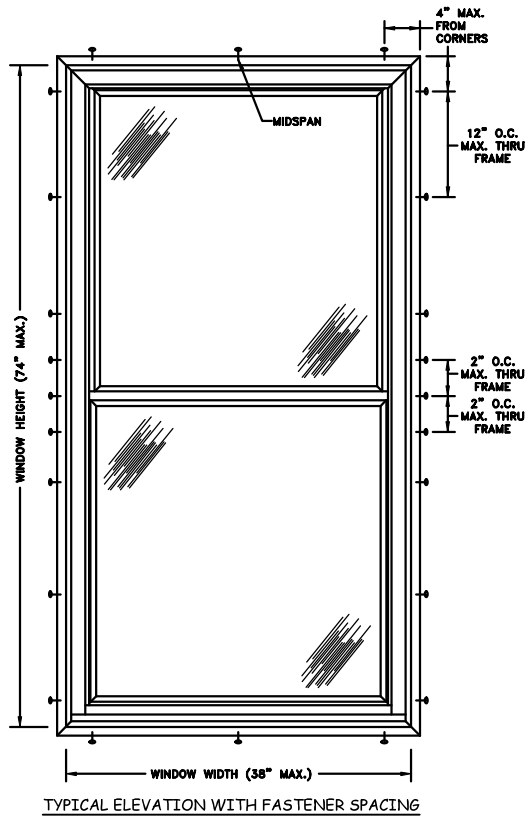
General Notes:

1. The product shown herein is designed, tested and manufactured to comply with the wind load criteria of the adopted International Building Code(IBC), the International Residential Code(IRC), the Florida Building Code(FBC) and the industry requirement for the stated conditions.
2. All glazing shall conform to ASTM E1300.
3. At minimum, glazing shall be single strength annealed insulating glass.
4. Use structural or composite shims where required.
5. Installation methods can be interchanged within the same opening.
6. An impact protective system is required where wind borne debris protection is mandated by local building code.
7. Maximum sizes are buck sizes and do not include fin or flange.

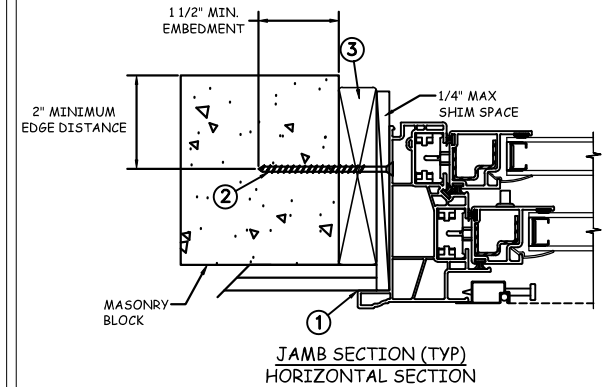


2021.02.02 15:11:28 -05'00'
JOSEPH A. REED, P.E.
 Florida PE 58920, REG. No. 33474
 National Certified Testing Laboratories
 5 Leigh Drive, York, PA. 17406
 (717) 846-1200

--	DATE: 11/10/2016	JELD-WEN 3250 Lakeport Blvd Klamath Falls, OR, 97601 Phone: (800) 535-3936
DRAWN BY: J.HAWKINS	SCALE: NTS	
CHECKED BY: D.BELAU	TITLE: Brickmould Vinyl Double Hung DP50 Window	
APPROVED BY: J.GOOSSEN	RECORD No: D008421	
REPORT No:	CAD DWG. No.:	REV: 00 SHEET



MASONRY INSTALLATION



Max Frame	DP RATING	IMPACT
38 x 74	+/-50	NO

Installation Notes:

1. Seal flange/frame to substrate.
2. Use (1)-3/16" Tapcon or equivalent fasteners through frame per location with sufficient length to penetrate a minimum of 1 1/2" into concrete or masonry at each location with a 2" min. distance from the edge. For concrete (min. f_c = 3000 psi) or masonry substrate (CMU shall conform to ASTM C90).
3. Host structure (wood buck, masonry, steel) to be designed and anchored to properly transfer all loads to the structure. The host structure is the responsibility of the architect or engineer of record for the project of installation.

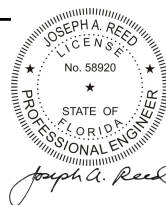
This schedule addresses only the fasteners required to anchor the window to achieve the rated design pressure up to the size limitations noted. It is not intended as a guide to the installation process and does not address the sealing consideration that may arise in different wall conditions. For the complete installation procedure, see the instructions packaged with the window or go to www.jeld-wen.com/resources/installation.

DISCLAIMER:

This drawing and its contents are confidential and are not to be reproduced or copied in whole or in part or used or disclosed to others except as authorized by JELD-WEN Inc.

General Notes:

1. The product shown herein is designed, tested and manufactured to comply with the wind load criteria of the adopted International Building Code (IBC), the International Residential Code (IRC), the Florida Building Code (FBC) and the industry requirements for the stated conditions.
2. All glazing shall conform to ASTM E1300.
3. At minimum, glazing shall be single strength annealed insulating glass.
4. Use structural or composite shims where required.
5. Installation methods can be interchanged within the same opening.
6. An impact protective system is not required where wind borne debris protection is mandated by local building code.
7. Maximum sizes are buck sizes and do not include fin or flange.

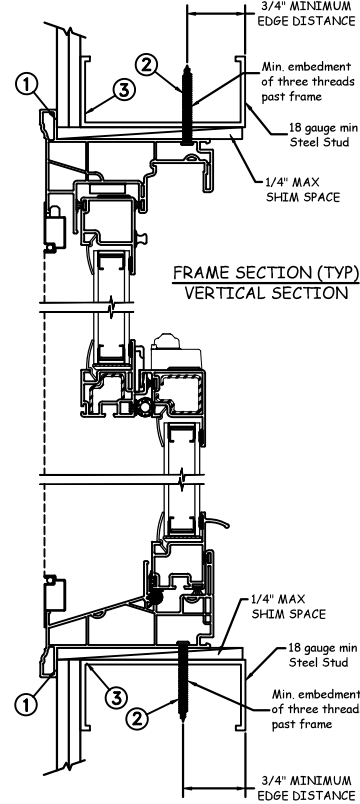
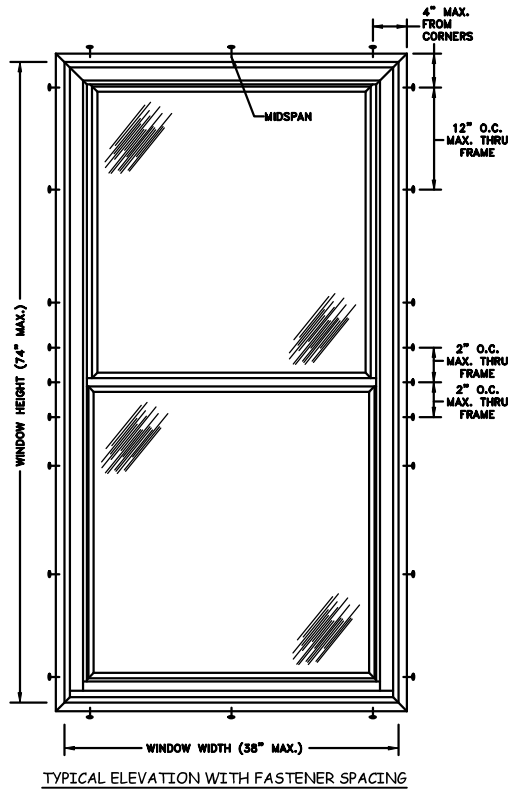


2021.02.02 15:11:28 -05'00'
JOSEPH A. REED, P.E.
 Florida PE 58920, REG. No. 33474
 National Certified Testing Laboratories
 5 Leigh Drive, York, PA. 17406
 (717) 846-1200

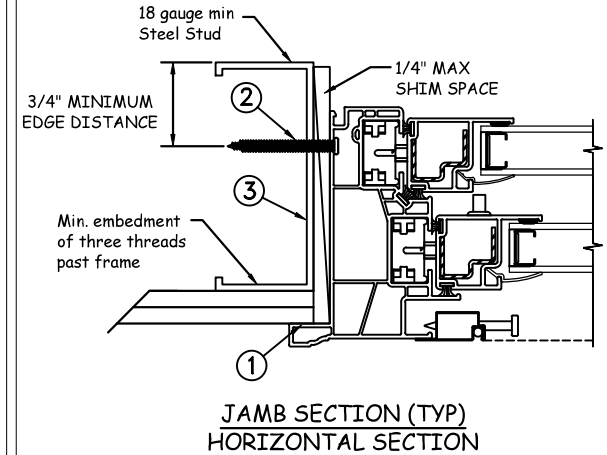
--	DATE: 11/10/2016
DRAWN BY: J.HAWKINS	SCALE: NTS
CHECKED BY: D.BELAU	TITLE:
APPROVED BY: J.GOOSSEN	Brickmould Vinyl Double Hung DP50 Window
RECORD No: D008421	
REPORT No:	

JELD-WEN 3250 Lakeport Blvd
 Klamath Falls, OR, 97601
 Phone: (800) 535-3936

CAD DWG, No.: REV: 00 SHEET



STEEL INSTALLATION



Max Frame	DP RATING	IMPACT
38 x 74	+/-50	NO

Installation Notes:

1. Seal flange/frame to substrate.
2. For anchoring into metal framing, use (1)-#8 Gr. 5 Self-Drilling screw per location with sufficient length to achieve a minimum embedment of three threads past the frame thickness. Locate anchors as shown in elevations and installation details. Steel substrate min. 18 ga (fy = 33 ksi).
3. Host structure (wood buck, masonry, steel) to be designed and anchored to properly transfer all loads to the structure. The host structure is the responsibility of the architect or engineer of record for the project of installation.

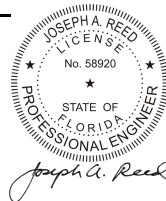
This schedule addresses only the fasteners required to anchor the window to achieve the rated design pressure up to the size limitations noted. It is not intended as a guide to the installation process and does not address the sealing consideration that may arise in different wall conditions. For the complete installation procedure, see the instructions packaged with the window or go to www.jeld-wen.com/resources/installation.

DISCLAIMER:

This drawing and its contents are confidential and are not to be reproduced or copied in whole or in part or used or disclosed to others except as authorized by JELD-WEN Inc.

General Notes:

1. The product shown herein is designed, tested and manufactured to comply with the wind load criteria of the adopted International Building Code (IBC), the International Residential Code (IRC), the Florida Building Code (FBC) and the industry requirements for the stated conditions.
2. All glazing shall conform to ASTM E1300.
3. At minimum, glazing shall be single strength annealed insulating glass.
4. Use structural or composite shims where required.
5. Installation methods can be interchanged within the same opening.
6. An impact protective system is not required where wind borne debris protection is mandated by local building code.
7. Maximum sizes are buck sizes and do not include fin or flange.



2021.02.02 15:11:28 -05'00'
JOSEPH A. REED, P.E.
 Florida PE 58920, REG. No. 33474
 National Certified Testing Laboratories
 5 Leigh Drive, York, PA. 17406
 (717) 846-1200

--	DATE: 11/10/2016	JELD-WEN	3250 Lakeport Blvd
DRAWN BY: J.HAWKINS	SCALE: NTS		Klamath Falls, OR, 97601
CHECKED BY: D.BELAU	TITLE: Brickmould Vinyl Double Hung DP50 Window		Phone: (800) 535-3936
APPROVED BY: J.GOOSSEN	RECORD No: D008421		
REPORT No:	CAD DWG, No.:	REV: 00	SHEET